

LUGANO LED FLAT PANEL

- Black or white finish
- White acrylic diffuser
- 3000K/4000K/5000K selectable CCT
- TRIAC and ELV dimming (120V)
- 50,000 hr LED life, 90 CRI
- 120-277V



next evolution lighting



LOCATION		DATE
PREPARED BY		QUANTITY
COMMENTS		FIXTURE TYPE
CATALOG NUMBER		

Lugano LED Linear Flat Panels LGNL Series



Features

This ultra low profile design provides a dramatic look and features an edge-lit light panel construction. Products can be used in various applications including corridors, bath, hallway, kitchen and anywhere general lighting is needed. Fixture mounts to standard junction box (not included).

Construction

Aluminum picture frame construction. Fixture includes tether cords to allow for easy installation. Standard mounting holes and hardware are included. Power supply connections must be made inside a junction box (not included).

Finish

Black or White finish.

Diffuser

White acrylic.

Electrical

Input 120-277 VAC 60 HZ.
TRIAC and ELV dimming only at 120 VAC.

LED

Integrated LED modules capable of producing:
25W = 1870 delivered lumens
30W = 3550 delivered lumens
40W = 3550 delivered lumens
Selectable 3000K, 4000K, 5000K (CCT).
Rated for 50,000 Hrs., 90 CRI.



Selectable CCT switch
3000K/4000K/5000K

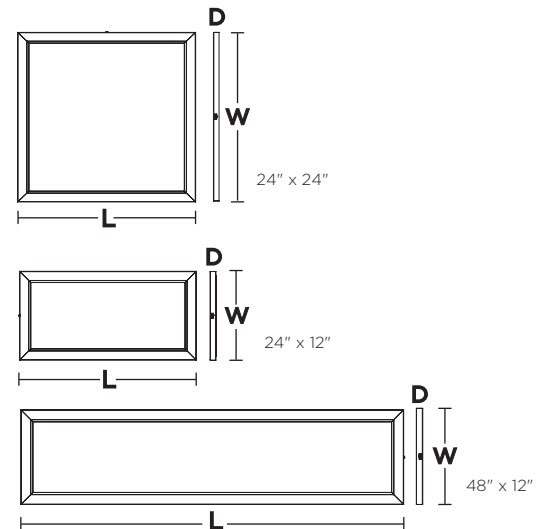
Certification

All fixtures are cCSAus listed for indoor damp locations.
Title 24/JA8 Compliant

Warranty

Limited warranty: This fixture is free from defects in materials and workmanship for a period of 5 years from date of purchase.

Specifications and dimensions
subject to change without notice.



Ordering Information:

Black	White	LED	Delivered Lumens	Adjustable CCT	L	W	D
LGNL2412LAJD4BK	LGNL2412LAJD4WH	25W	1870	3000K/4000K/5000K	24"	12"	3/4"
LGNL2424LAJD4BK	LGNL2424LAJD4WH	30W	3550	3000K/4000K/5000K	24"	24"	3/4"
LGNL4812LAJD4BK	LGNL4812LAJD4WH	40W	3550	3000K/4000K/5000K	48"	12"	3/4"